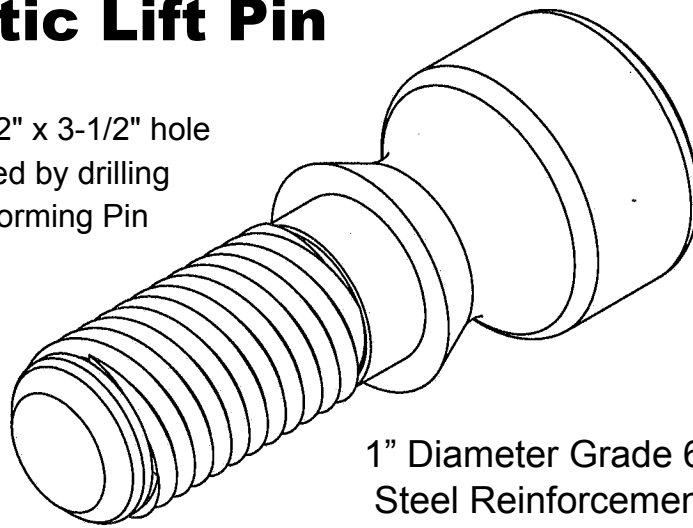


Steel Reinforced

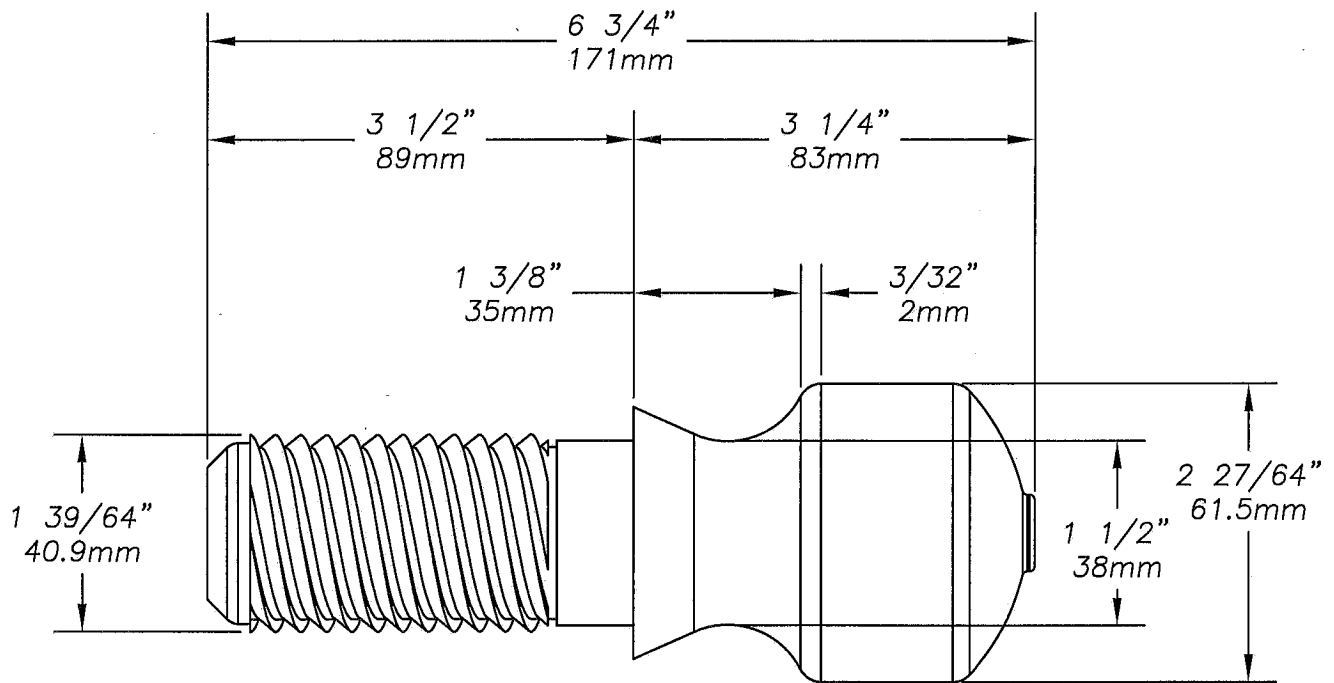
# Plastic Lift Pin

- ▶ Hammer into 1-1/2" x 3-1/2" hole
- ▶ Hole can be formed by drilling or with 004-725 Forming Pin



Impact Resistant  
Copolymer  
Polypropylene  
Plastic  
Meets ASTM D4104

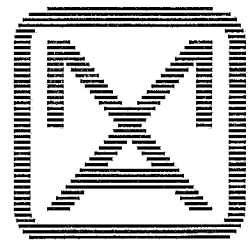
1" Diameter Grade 60  
Steel Reinforcement  
Meets ASTM A615



## Lift Pin Dimensions

**5500 lbs Safe Working Load - 4:1 Safety Factor**

No additional hardware necessary  
except hooks, chains, or slings



M . A . I N D U S T R I E S , I N C .