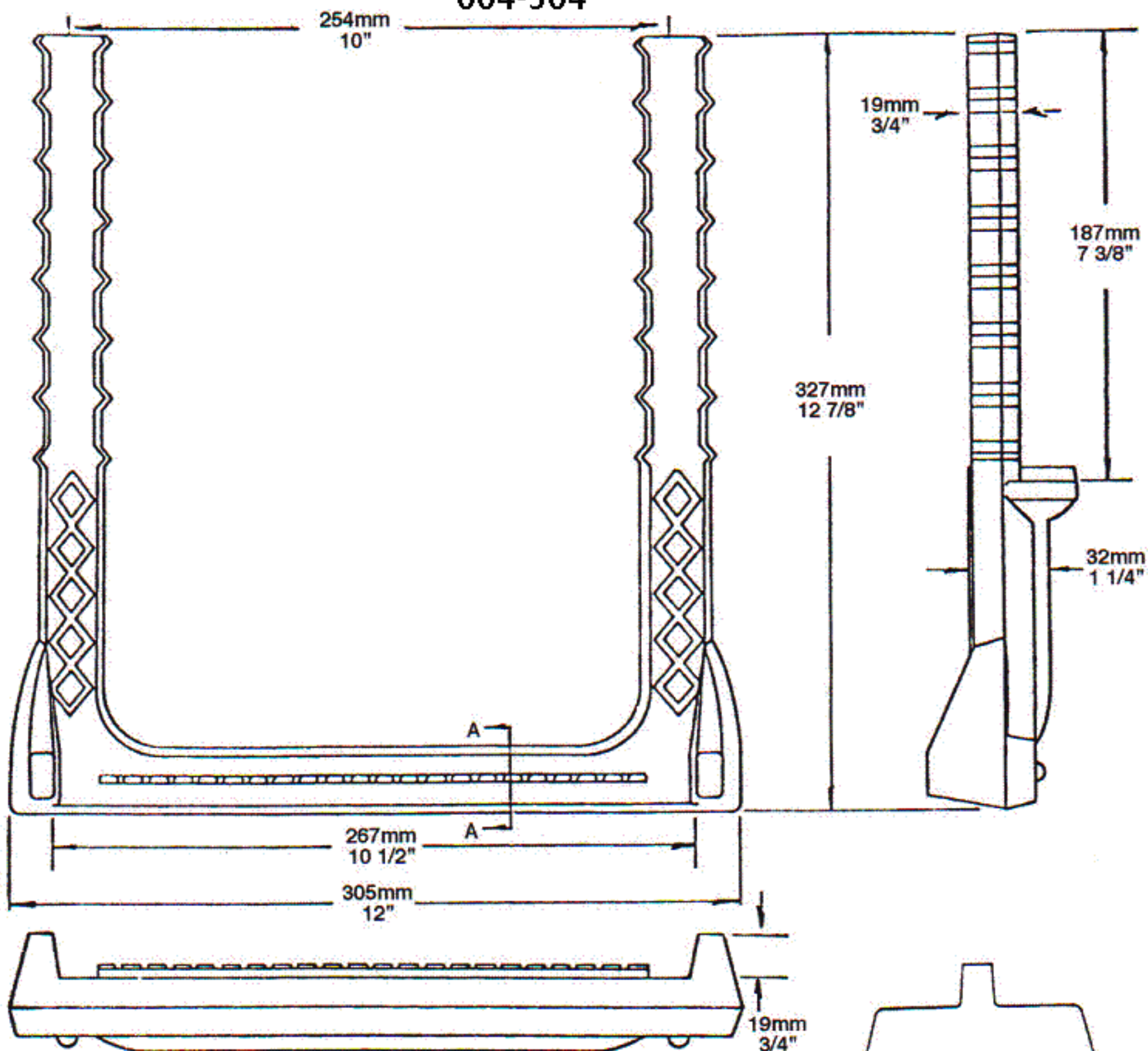
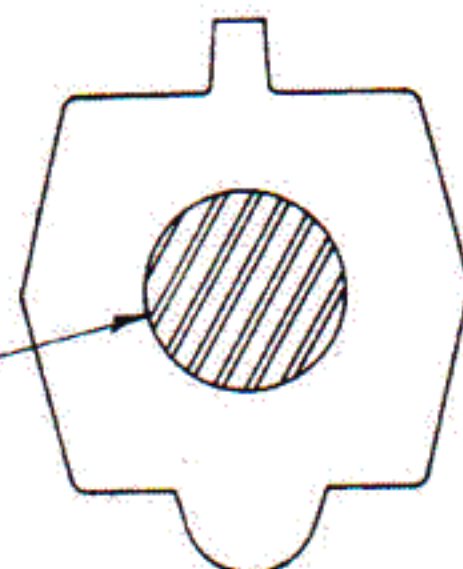


004-504

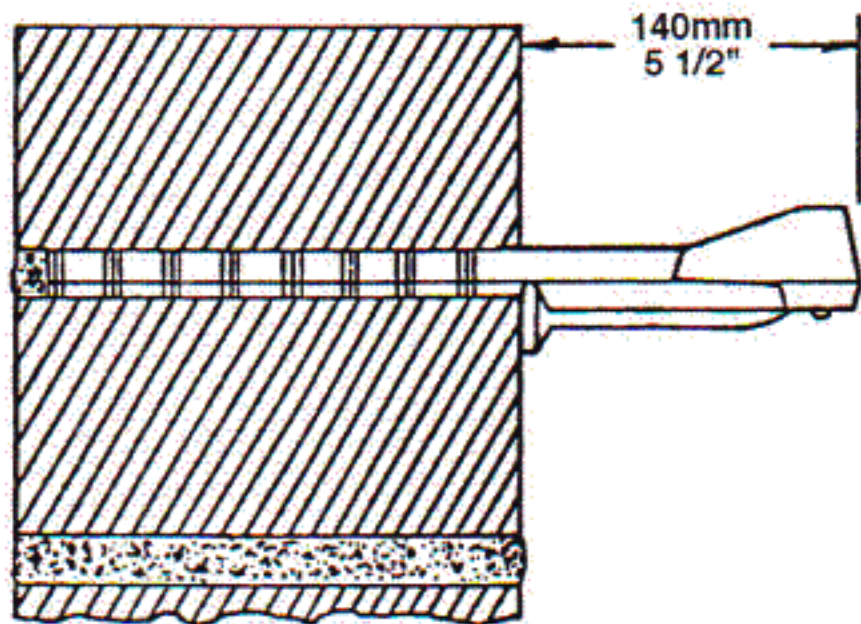


**Copolymer Polypropylene Plastic**

13mm 1/2" GRADE 60 STEEL REINFORCEMENT



SECTION-A



MEETS: ASTM-C-478  
 ASTM-D-4101  
 ASTM-A-615  
 AASHTO-M-199



**M.A. INDUSTRIES, INC.**